

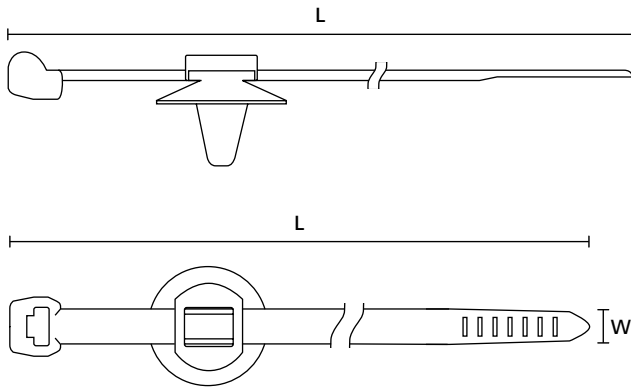
Arrowhead Mount Cable Ties

2-Piece Arrowhead Ties

HellermannTyton's Arrowhead Push Mount Tie Assembly is a two piece design allowing the mount to slide along the strap of the tie to ensure proper orientation. The arrowhead mount is designed for low insertion into a pre-drilled hole, while providing a high extraction force. The disc also protects against dirt and other impurities.

Features and Benefits

- Two-piece assembly allows mount to slide along strap, ensuring proper orientation.
- Arrowhead-style mount provides low insertion and high extraction force.
- Multiple material options provide solutions for any environment.



PART NO.	TYPE	Min. Tensile Strength lbs. (N)	Mounting Hole Dia. in. (mm)	Panel Thickness in. (mm)	Length (L) in. (mm)	Max. Bundle Diameter in. (mm)	Width (W) in. (mm)	Material Cable Tie	Material Arrowhead	Color	Pkg. Qty.
150-37791	T50ROSS FT6.5 16-3	50.0 (225.0)	0.25 - 0.26 (6.3 - 6.7)	0.10 - 0.14 (2.5 - 3.5)	7.9 (200.0)	1.8 (45.0)	0.2 (4.6)	PA66HS	PA66HIRHS	Black	500
156-01090	PT2AP1SFT6.5	51.7 (230.0)	0.25 - 0.26 (6.3 - 6.7)	0.03 - 0.05 (0.7 - 1.3)	5.7 (145.0)	1.4 (35.0)	0.1 (3.4)	PEEK	PEEK	Beige	500
156-01091	PT2AP2SFT6.5	51.7 (230.0)	0.25 - 0.26 (6.3 - 6.7)	0.07 - 0.09 (1.7 - 2.3)	5.7 (145.0)	1.4 (35.0)	0.1 (3.4)	PEEK	PEEK	Beige	500
156-01146	PT2AP3SFT6.5	51.7 (230.0)	0.25 - 0.26 (6.3 - 6.7)	0.05 - 0.07 (1.2 - 1.8)	5.7 (145.0)	1.3 (32.0)	0.1 (3.4)	PEEK	PEEK	Beige	100

Dimensions are approximate and subject to technical changes. Use Part No. for ordering and Type for specification purposes.
Installation tools: EVO7, EVO7SP, EVO9, EVO9HT, MK7P, MK7HT, MK9P.